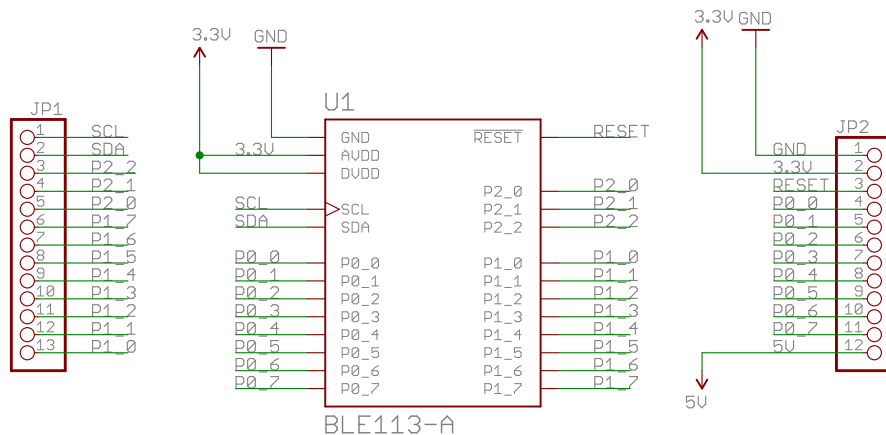
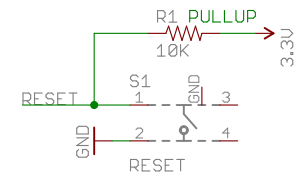


BLE113 MODULE



RESET SWITCH



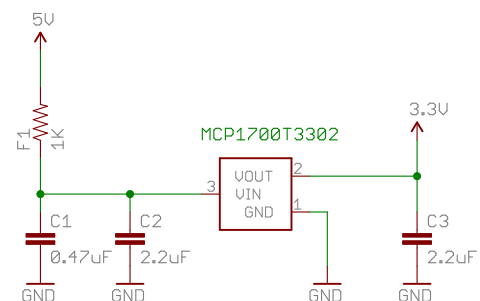
POWER LED



USER LED



3.3V REGULATOR



TITLE: BLE113 Breakout Board v1.1

Document Number:

REV:

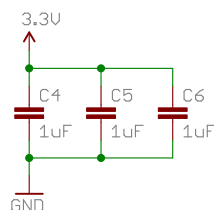
Date: 1/17/2014 2:07:56 PM

Sheet: 1/1

JETNEY

OSHI LOGO

FILTER CAPS



CC HEADER

