

1

2

3

4

D

D

C

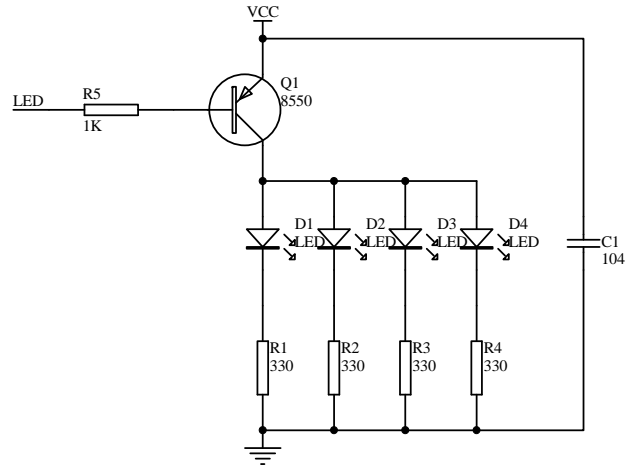
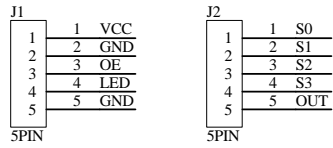
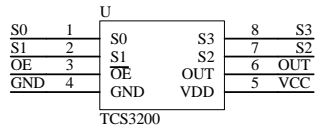
C

B

B

A

A



Title		
Size	Number	Revision
A4		
Date:	21-Jun-2011	Sheet of
File:	F:\电路设计\研发中\进行中的项目\已完成\驱动B\颜色传感器\MyDesign.ddb	

1

2

3

4