

1 2 3 4

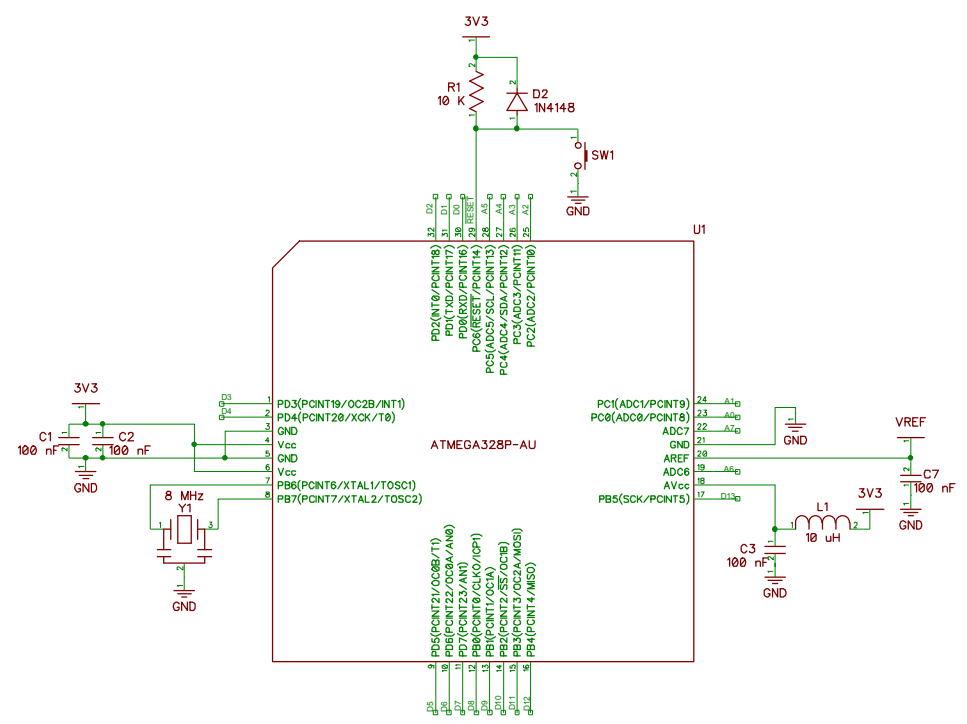
A A

B B

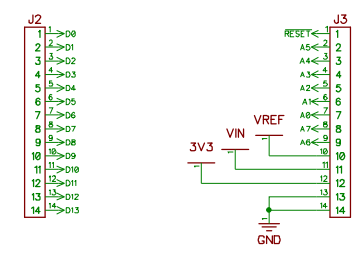
C C

D D

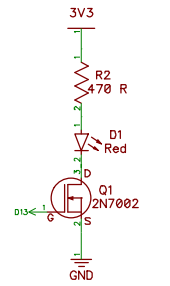
ATmega328P-AU



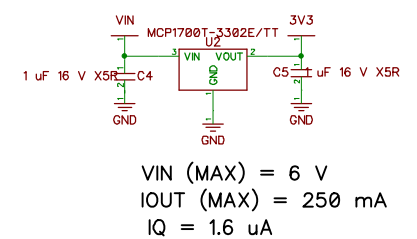
Breakout Headers



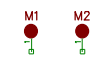
Indicator LED



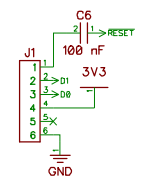
Voltage Regulation



Fiducials



FTDI Header



Title: RS-MINI-ULTRA-BM	Rocket Screen
Date: 20-06-2011	Revision: 1.30
RS-MINI-ULTRA-8M-1R30.dch	Sheet 1

1 2 3 4